

## SUPPORT DE PRISE VERSO GUN METAL

Built-in socket

Code: A000 A16

SUPPORT DE PRISE VERSO GUN METAL



### DETAILS

Coloring Gun Metal

---

Finish PVD

---

Material AISI 304 stainless steel

---

Texture Foster brushed

---

Built-in hole 215x88 mm

---

Notes: It's advisable to keep a distance of 40 cm from sinks or cooking hobs (protection index IP20)

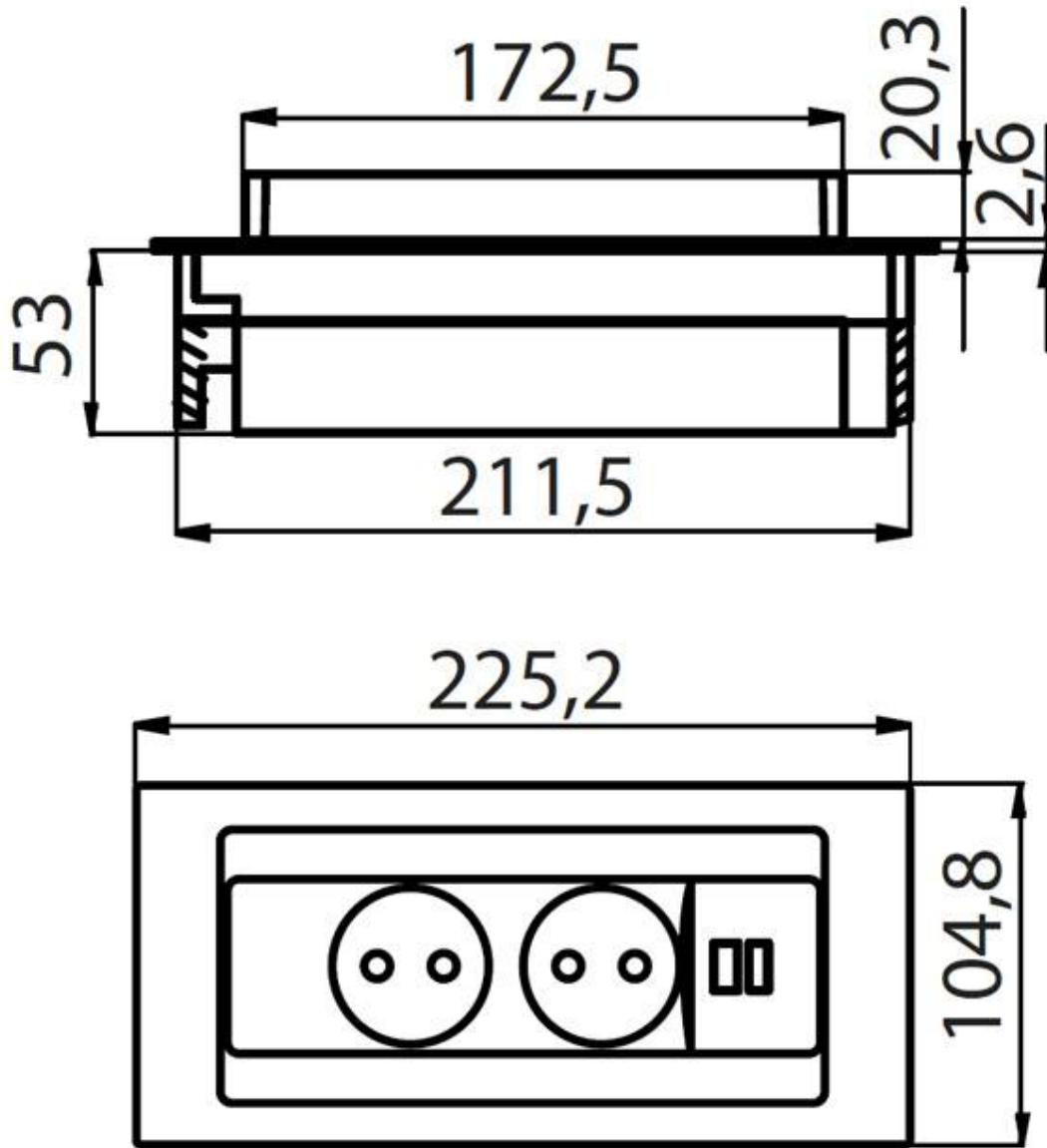
---

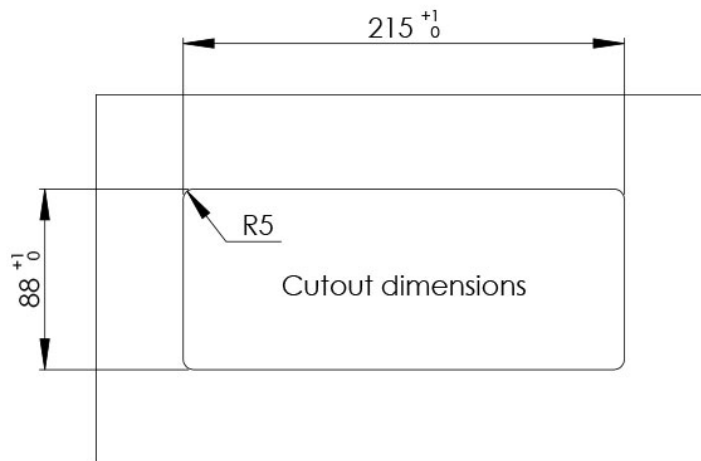
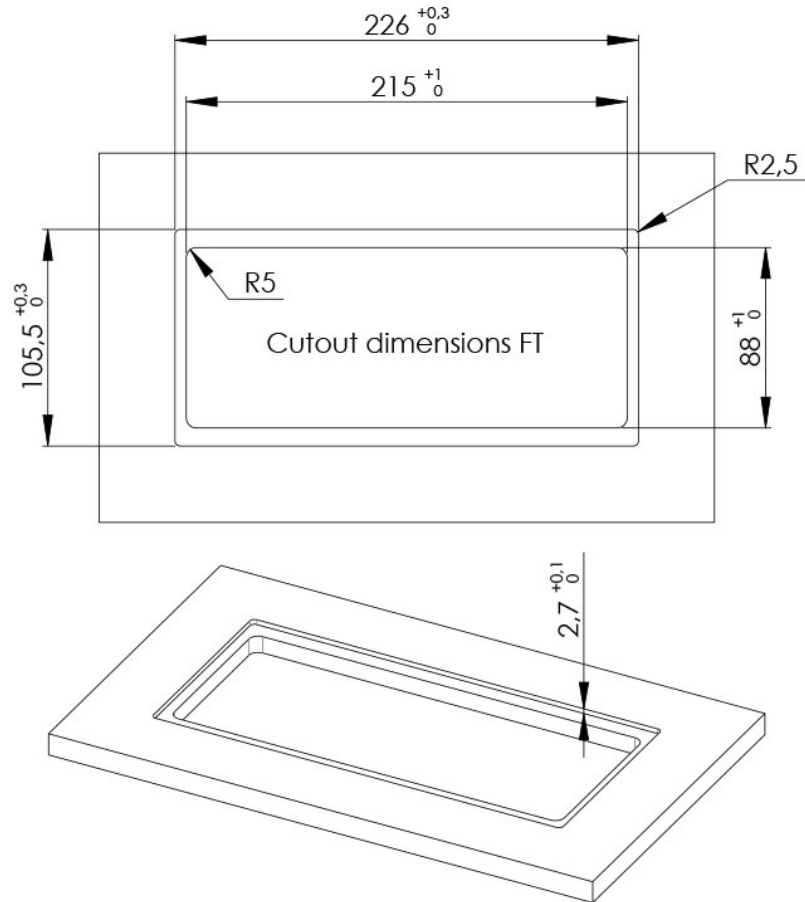
### FEATURES

**Gun Metal** The Gun Metal finish is obtained by treating steel with a physical process called PVD (Physical Vacuum Deposition) which deposits particles of noble metals on the surface. The result is a unique and refined aesthetic effect, and an improvement of the mechanical properties of the steel which is more resistant to impact and scratches.

---

## TECHNICAL DATA





## GALLERY

